

NAVIMOW

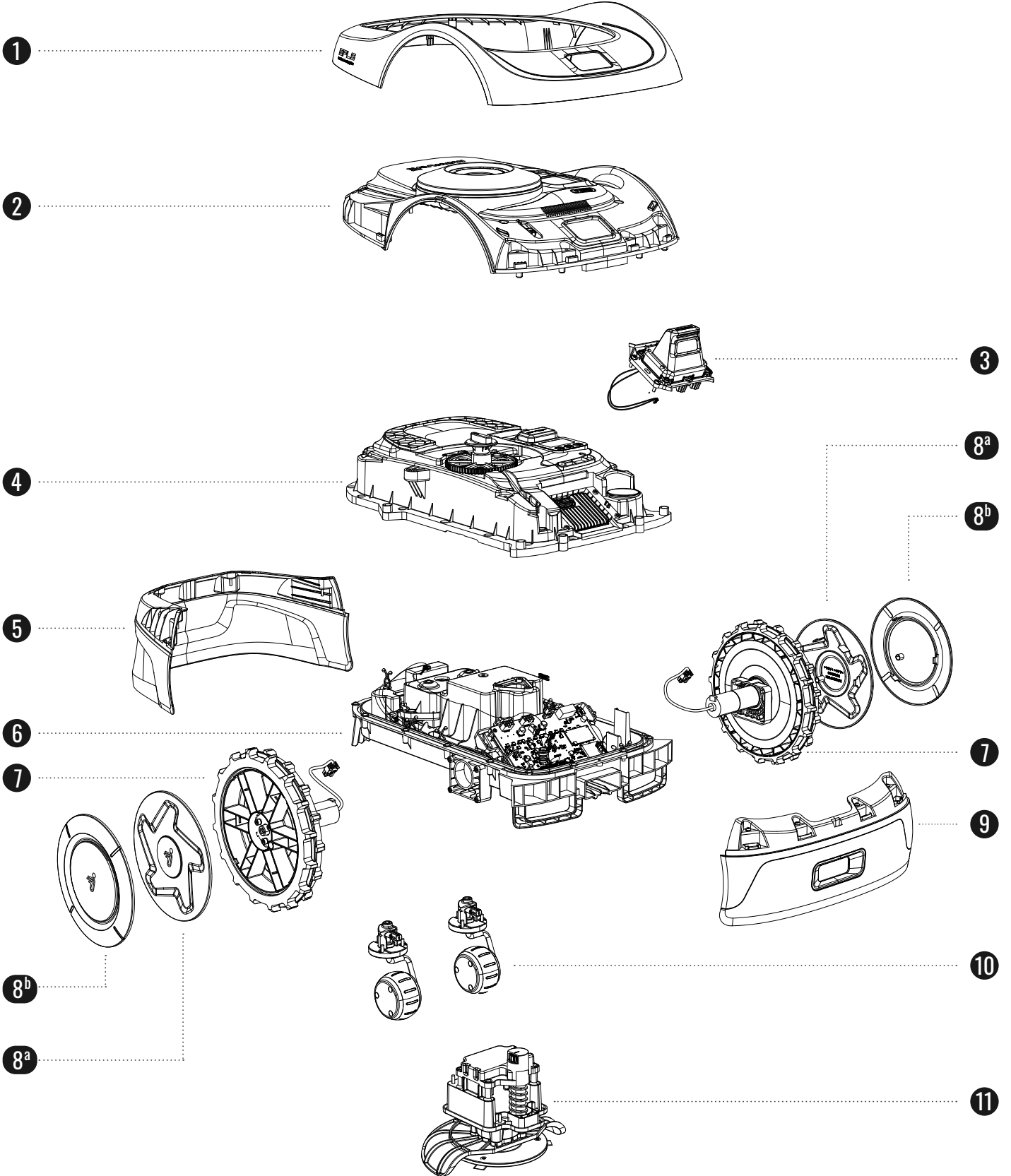
Navimow i Series

SPARE PARTS



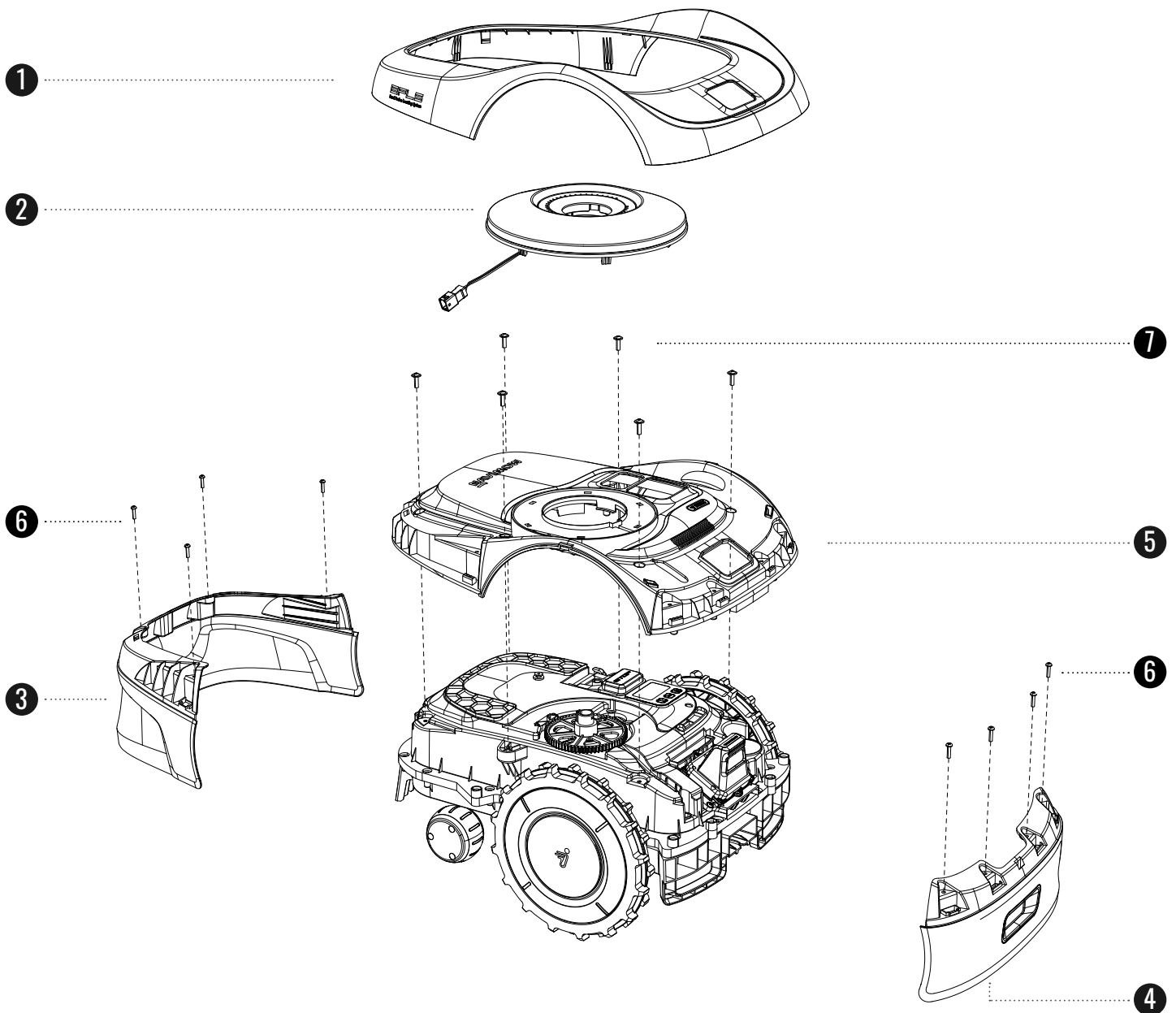
Choose Life Without Boundaries

Overall View



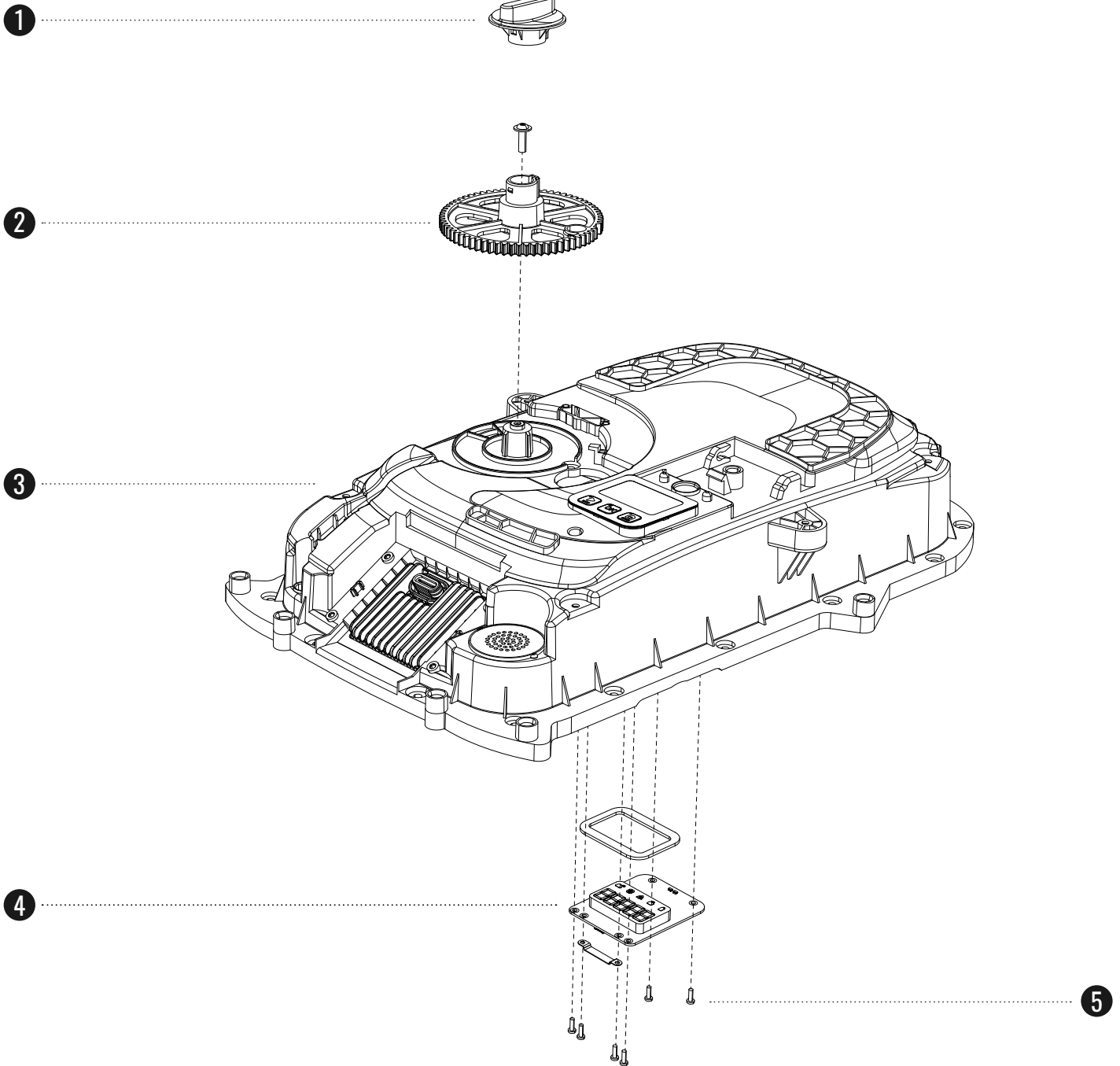
No.	Description	Quantity	Notes
①	Top decoration buckle cover	1	
②	Decoration cover assembly	1	
③	VisionFence module	1	
④	Top shell assembly	1	
⑤	Rear decoration cover	1	
⑥	Chassis assembly	1	
⑦	Traction wheel assembly	2	
⑧ ^a	Wheel cover gear pattern	2	Only for i105
⑧ ^b	Wheel cover circular pattern	2	Only for i108
⑨	Front decoration cover	1	
⑩	Universal wheel assembly	2	
⑪	Mowing assembly	1	

Decoration cover assembly



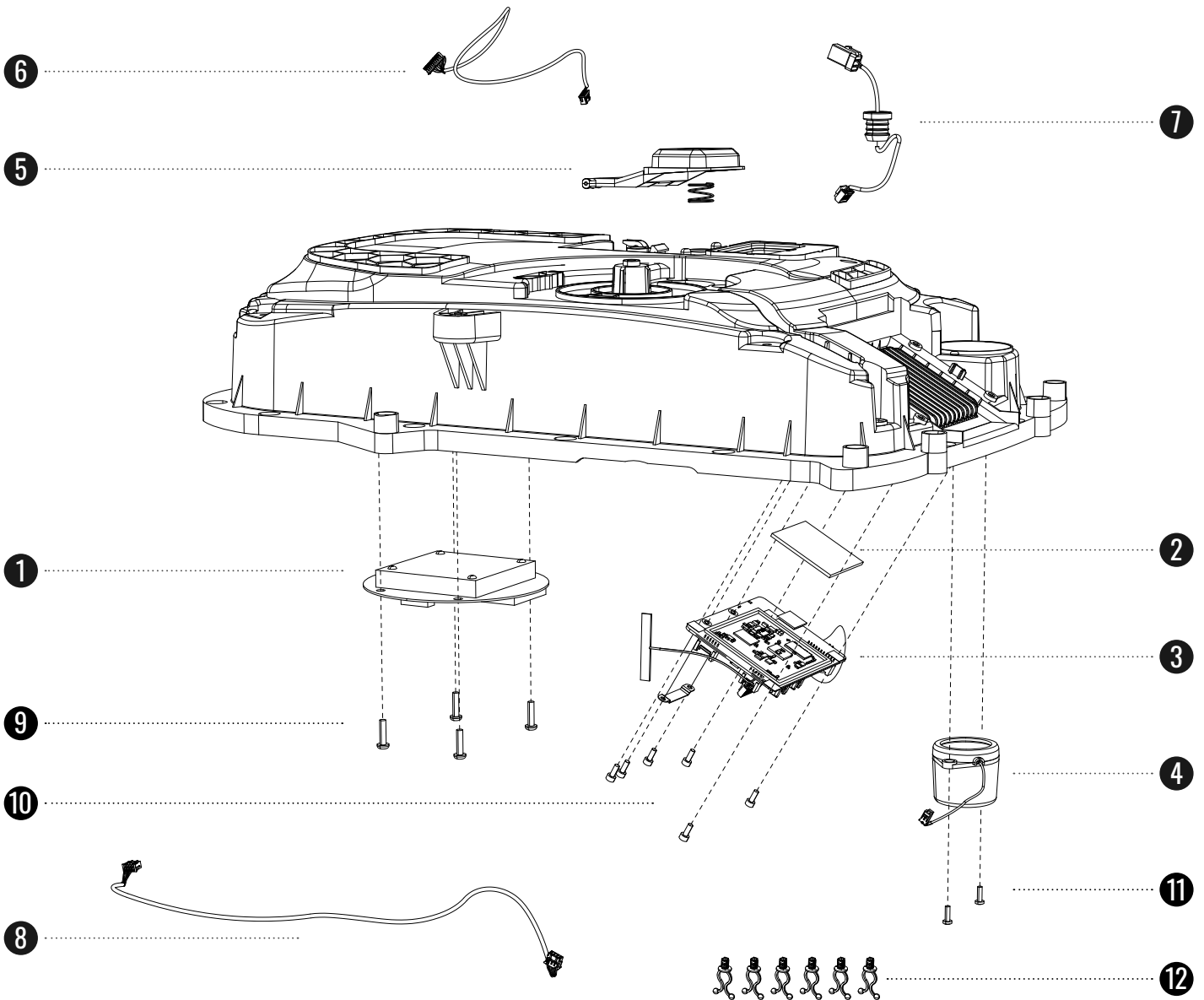
No.	PN	Description	Quantity	Notes
①	AB.12.02.00.0135	Top decoration buckle cover light grey	1	Only for i105
	AB.12.02.00.0136	Top decoration buckle cover i108 dark grey	1	Only for i108
②	AB.12.02.00.0101	Ambient light assembly	1	
③	AB.12.02.00.0123	Rear decoration cover	1	
④	AB.12.02.00.0138	Front decoration cover light grey	1	Only for i105
	AB.12.02.00.0139	Front decoration cover dark grey	1	Only for i108
⑤	AB.12.02.00.0137	Top decoration cover	1	
⑥	AB.12.02.00.0154	PT self-tapping screw K40H16	8	
⑦	AB.12.02.00.0153	PT self-tapping screw K50H16	6	

Top shell assembly-01



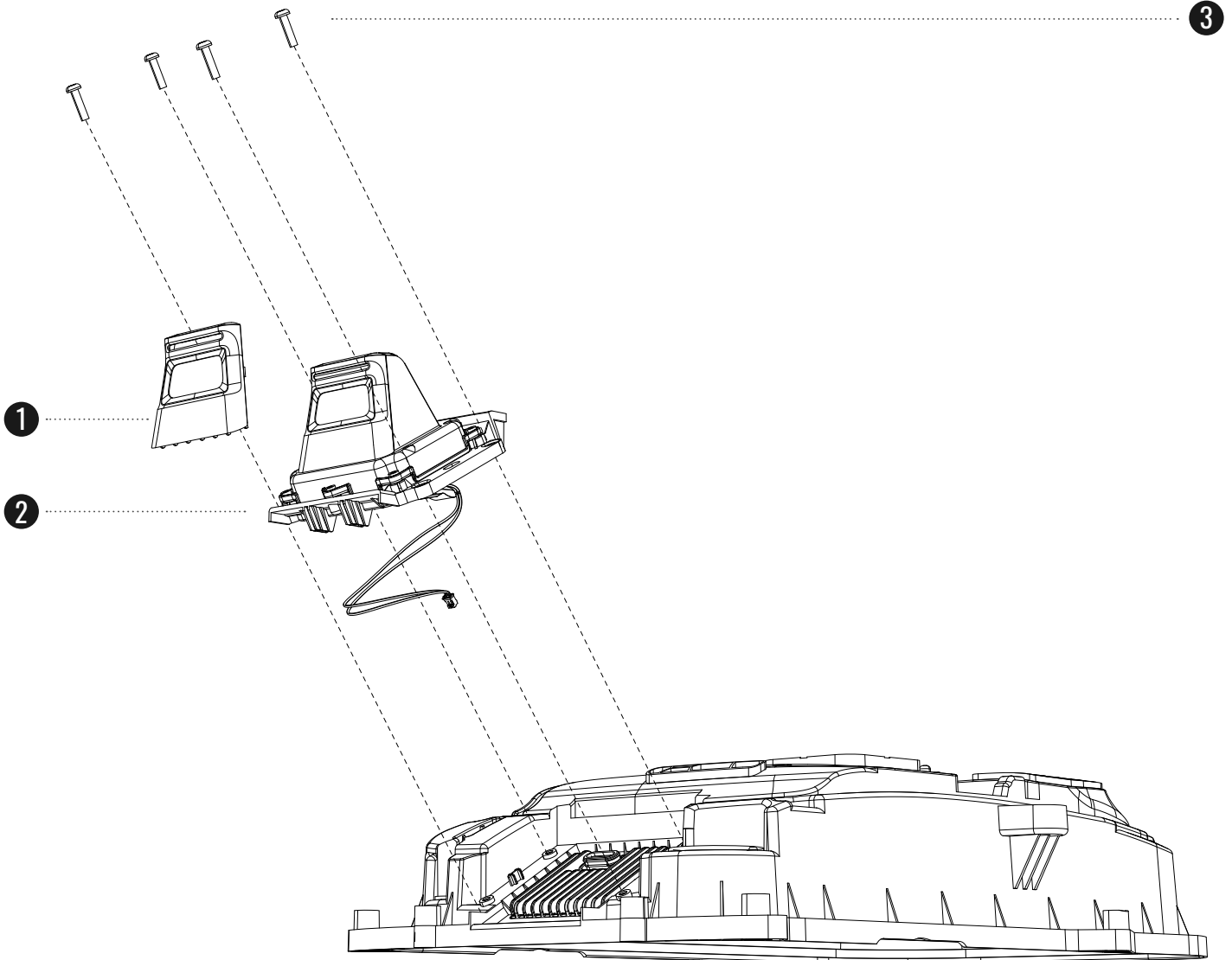
No.	PN	Description	Quantity	Notes
①	AB.12.02.00.0127	Height adjustment knob	1	
②	AB.12.02.00.0125	Height adjustment drive gear	1	
③	AB.12.02.00.0124	Top shell body	1	
④	AB.12.02.00.0109	Display PCB board	1	
⑤	AB.12.02.00.0165	Torx pan head self-tapping Screws ST2.9×9.5	6	

Top shell assembly-02



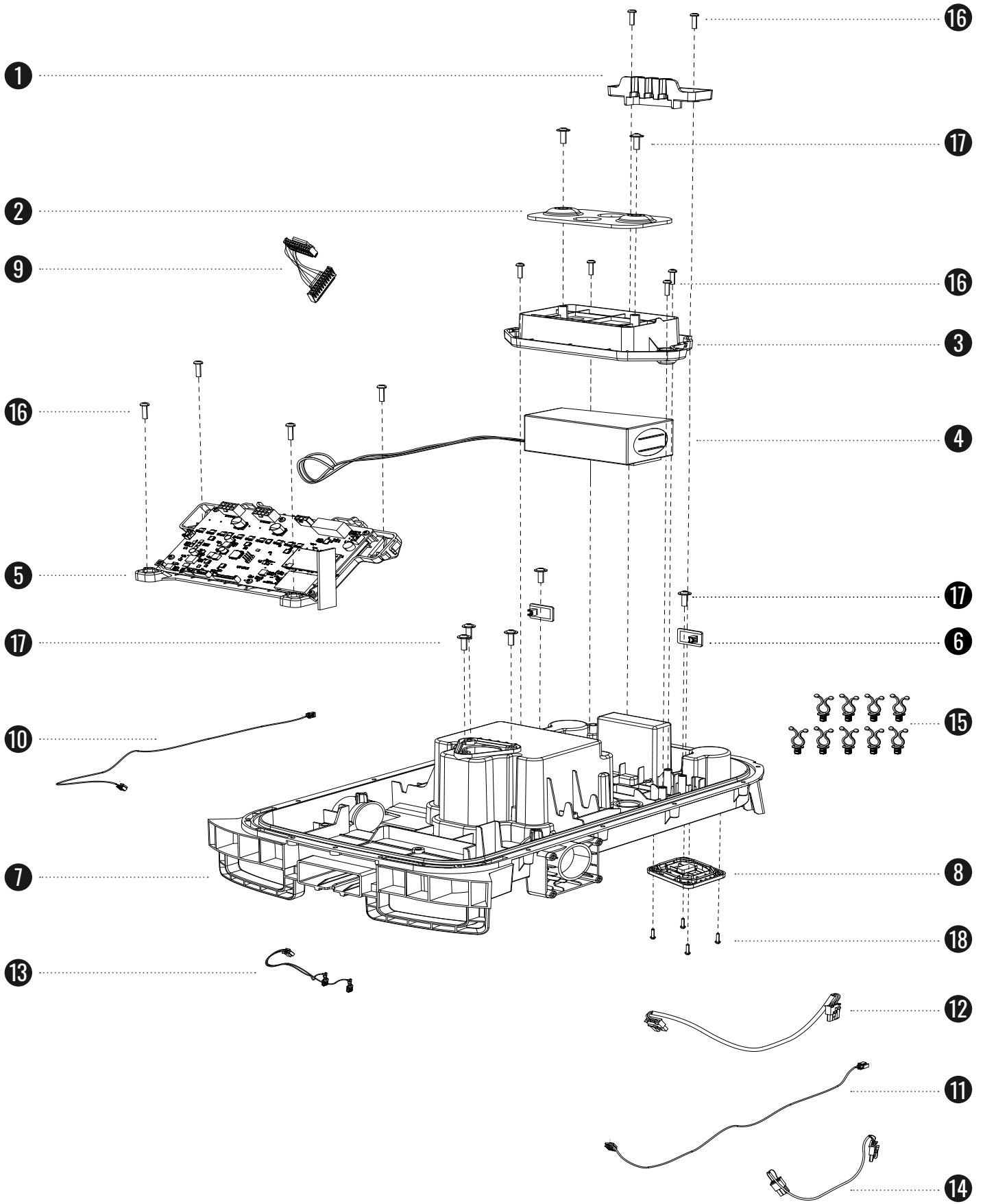
No.	PN	Description	Quantity	Notes
①	AB.12.02.00.0115	GNSS antenna module	1	
②	AB.12.02.00.0147	Cooling silicone pad	1	
③	AB.12.02.00.0110	ACU board	1	
④	AB.12.02.00.0103	Speaker module	1	
⑤	AB.12.02.00.0126	STOP button assembly	1	
⑥	AB.12.02.00.0163	Display and buttons harness	1	
⑦	AB.12.02.00.0160	Ambient light cable	1	
⑧	AB.12.02.00.0144	GNSS antenna transmission cable	1	
⑨	AB.12.02.00.0154	PT self-tapping screw K40H16	4	
⑩	AB.12.02.00.0155	Hexagon socket head screw M3x8	6	
⑪	AB.12.02.00.0165	Torx pan head self-tapping Screws ST2.9x9.5	2	
⑫	AB.12.02.00.0156	Twist buckle	7	

VisionFence module



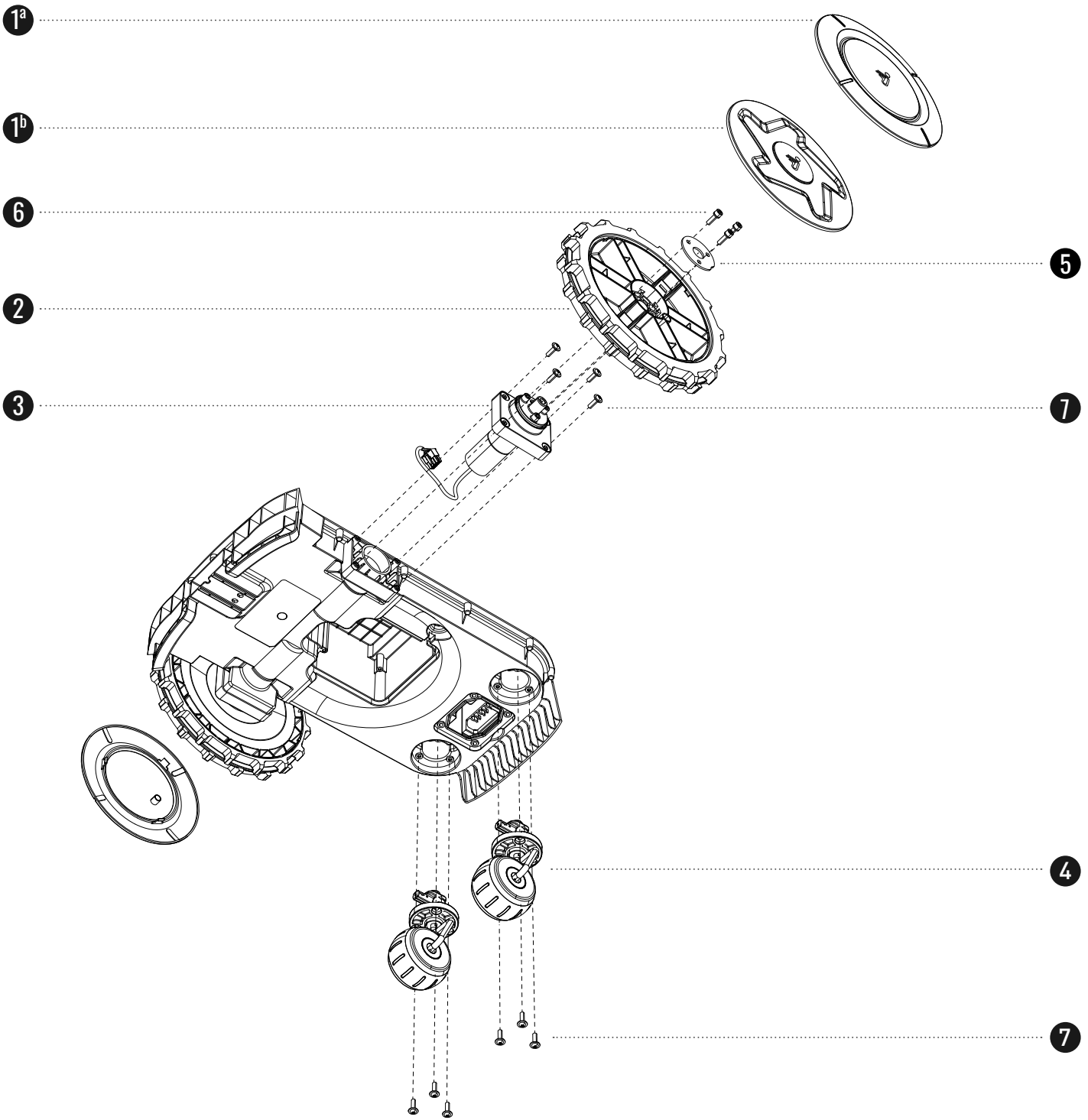
No.	PN	Description	Quantity	Notes
1	AB.12.02.00.0113	VisionFence front cover light grey	1	Only for i105
	AB.12.02.00.0114	VisionFence front cover dark grey	1	Only for i108
2	AB.12.02.00.0111	VisionFence module light grey	1	Only for i105
	AB.12.02.00.0112	VisionFence module dark grey	1	Only for i108
3	AB.12.02.00.0154	PT self-tapping screw K40H16	4	

Chassis assembly



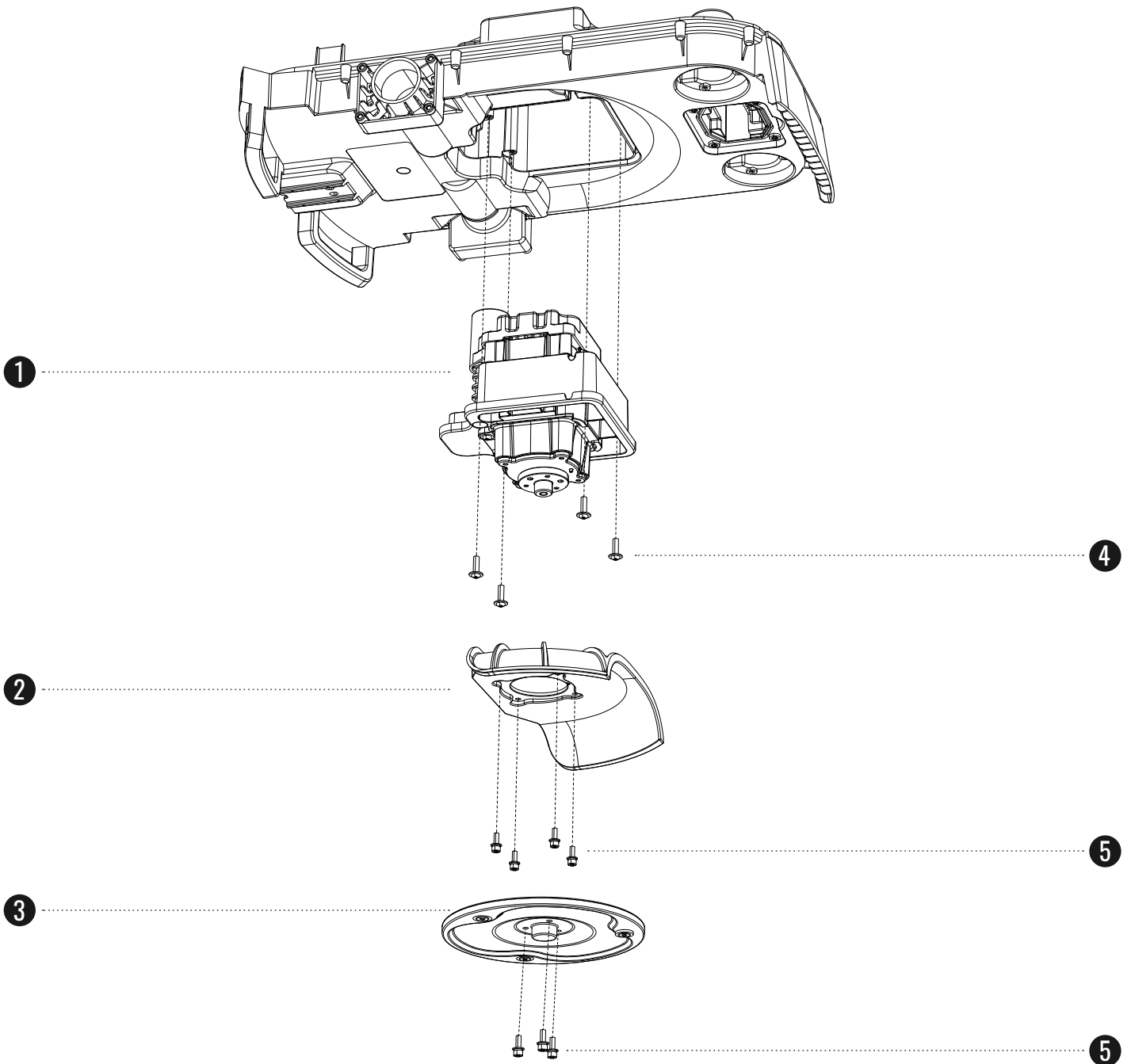
No.	PN	Description	Quantity	Notes
①	AB.12.02.00.0149	IOT harness block	1	
②	AB.12.02.00.0151	Counterweight	1	Only for i105
③	AB.12.02.00.0169	Battery cover	1	
④	AB.12.02.00.0107	Battery pack 2550 mAh	1	Only for i105
	AB.12.02.00.0108	Battery pack 5100 mAh	1	Only for i108
⑤	AB.12.02.00.0117	Drive board assembly	1	
⑥	AB.12.02.00.0118	lifting sensor board	2	
⑦	AB.12.02.00.0148	Chassis assembly	1	
⑧	AB.12.02.00.0150	4G interface cover	1	
⑨	AB.12.02.00.0164	Drive board communication harness	1	
⑩	AB.12.02.00.0162	Lifting sensor cable R	1	
⑪	AB.12.02.00.0161	Lifting sensor cable L	1	
⑫	AB.12.02.00.0143	IOT cable	1	
⑬	AB.12.02.00.0158	Chassis charging contact connection wire	1	
⑭	AB.12.02.00.0159	Mowing module connection harness	1	
⑮	AB.12.02.00.0156	Twist buckle	9	
⑯	AB.12.02.00.0154	PT self-tapping screw K40H16	10	
⑰	AB.12.02.00.0153	PT self-tapping screw K50H16	7	
⑱	AB.12.02.00.0166	Hexagon socket flat head screw M4x12	4	

Wheels



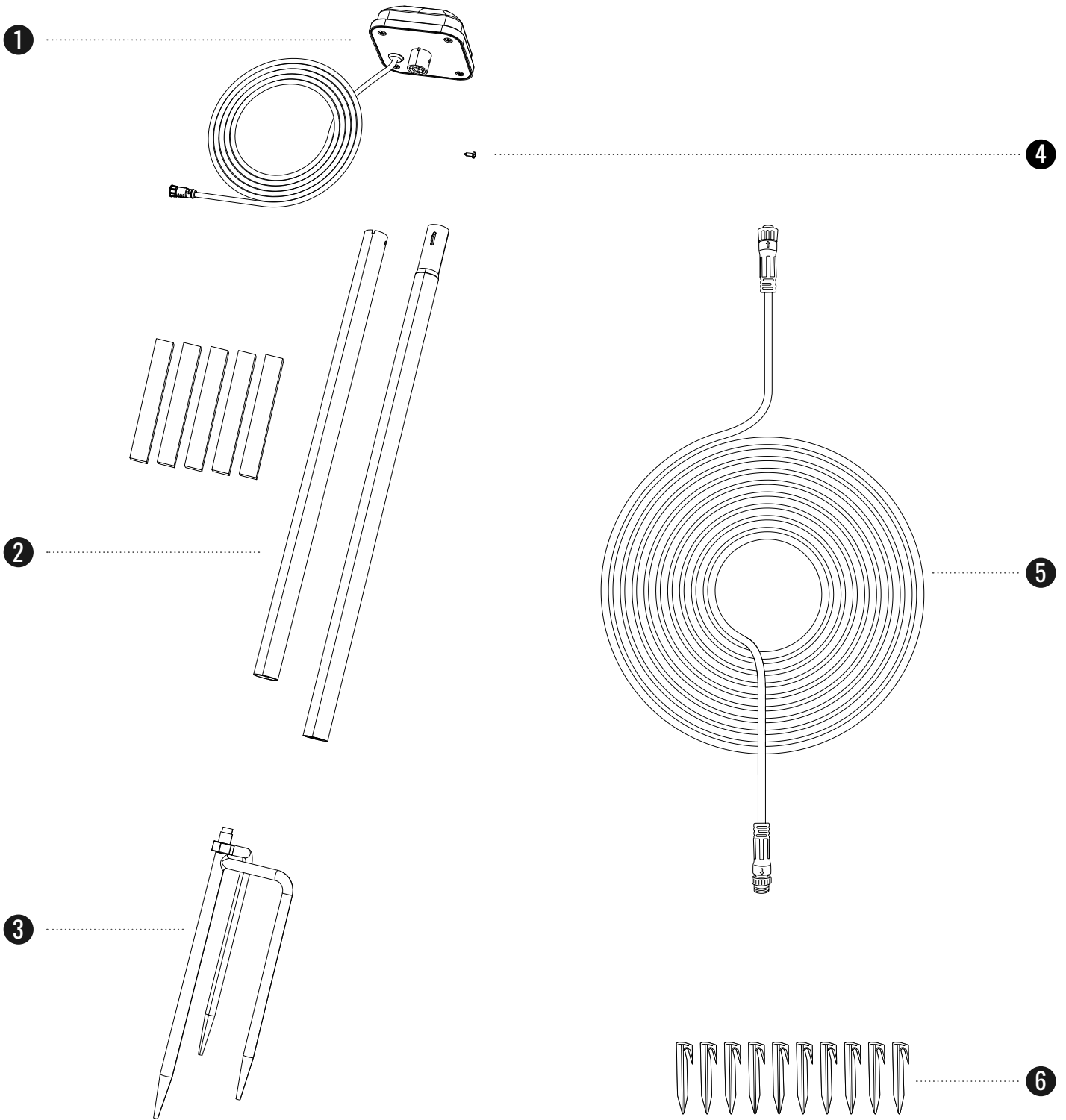
No.	PN	Description	Quantity	Notes
1 ^a	AB.12.02.00.0130	Wheel cover circular pattern	2	Only for i108
1 ^b	AB.12.02.00.0129	Wheel cover gear pattern	2	Only for i105
2	AB.12.02.00.0128	Traction wheel	2	
3	AB.12.02.00.0116	Traction motor module	2	
4	AB.12.01.00.0199	Universal wheel assembly	2	
5	AB.12.02.00.0152	Traction wheel flat pad	2	
6	AB.12.02.00.0167	Hex socket head cap screw and spring washer assembly M5x16	6	
7	AB.12.02.00.0153	PT self-tapping screw K50H16	14	

Mowing assembly



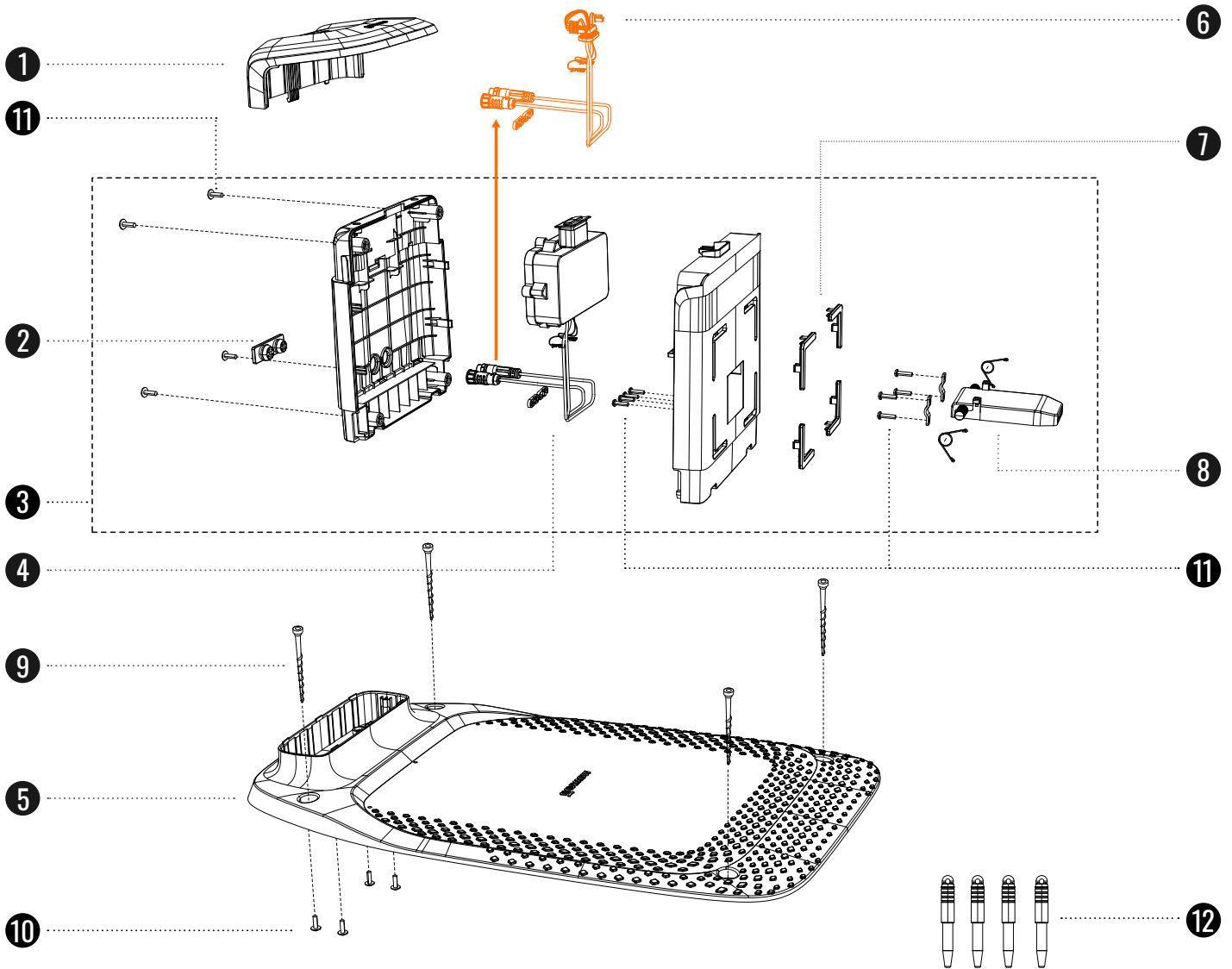
No.	PN	Description	Quantity	Notes
①	AB.12.02.00.0105	Mowing module	1	
②	AB.12.02.00.0145	Blade fender	1	
③	AB.12.02.00.0146	Blade disc	1	
④	AB.12.02.00.0153	PT self-tapping screw K50H16	4	
⑤	AB.12.02.00.0178	Hex socket cap screw with spring washer and flat washer assembly M4x12	7	

GNSS reference station



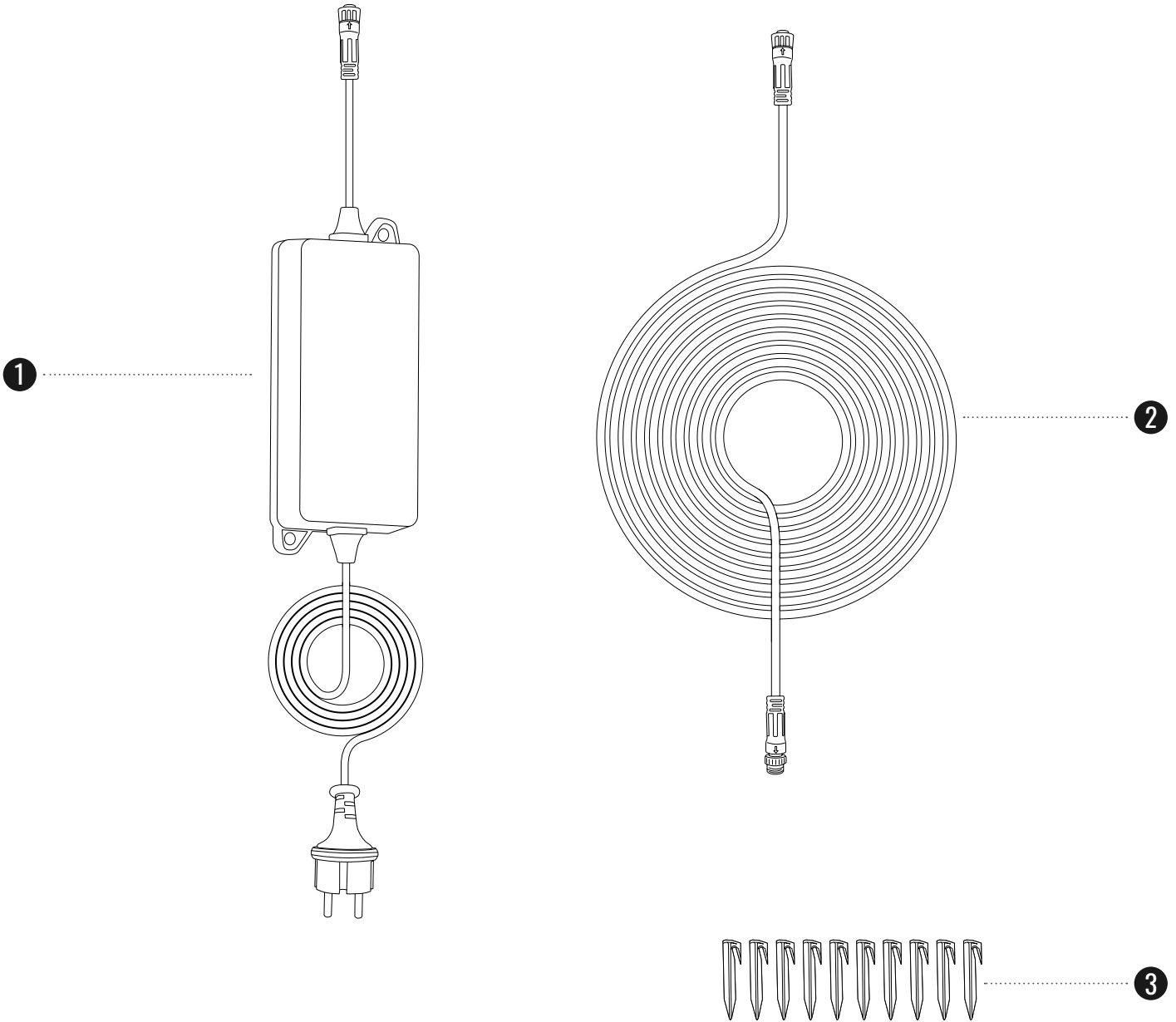
No.	PN	Description	Quantity	Notes
①	AB.12.02.00.0134	GNSS station	1	Including 1pcs Screw-ST4.2*13
②	AB.12.01.00.0247	Tube assembly	1	
③	AB.50.0017.20	Base fork assembly	1	
④	AB.12.02.00.0176	Cross recessed pan head tapping screws ST4.2x13	1	
⑤	AC.00.0001.10	GNSS station extension cable	1	
⑥	AB.12.02.00.0180	Peg	10	

Charging station



No.	PN	Description	Quantity	Notes
①	AB.12.02.00.0122	Charging station upper cover	1	
②	AB.12.02.00.0133	Charging station cable protection plug	1	
③	AB.12.02.00.0132	Charging station main body	1	
④	AB.12.02.00.0119	Charging station board assembly	1	
⑤	AB.12.02.00.0131	Charging station base plate	1	
⑥	AB.12.02.00.0120	Charging station cable assembly	1	
⑦	AB.12.02.00.0140	L-shaped reflective strip	4	
⑧	AB.12.02.00.0121	Charging station charging tongue assembly	1	
⑨	AB.12.02.00.0179	Charging station ground nail	4	
⑩	AB.12.02.00.0153	PT self-tapping screw K50H16	8	
⑪	AB.12.02.00.0154	PT self-tapping screw K40H16	8	
⑫	AB.12.01.00.0232	Hole marker nail - silica gel	4	

Power supply



No.	PN	Description	Quantity	Notes
①	AB.12.01.00.0211	Power supply - EU standard	1	Only for EU standard models
	AB.12.01.00.0212	Power supply - UK standard	1	Only for UK standard models
	AB.12.01.00.0213	Power supply - CH standard	1	Only for CH standard models
②	AB.12.01.00.0218	Power supply extension cable	1	
③	AB.12.02.00.0180	Peg	10	

NAVIMOW

